

# LifeSmart

Simply, Brilliant

**BLEND™ Light Strip** Model. LS010

Setting up your LifeSmart™ BLEND™ Light Strip

User Guide Version 1.0

## PRODUCT INTRODUCTION

BLEND™ Light Strips are the perfect way to add ambience to any room or, having the flexibility to be concealed almost anywhere, you can showcase your favorite work of art. Capable of over 16 million colors with adjustable brightness and preset lighting effects, you can easily set the mood for that romantic dinner or instantly transition to a party. Even better is BLEND'S interaction with your entire LifeSmart™ Smart Home System. Let your lights change to your desired ambience based on the time of day, temperature, or even by opening a door. You are only limited by imagination in the infinite applications of BLEND™ products to create unique atmospheres and instant, unique special moments. Not only that, but you will benefit from all of the amazing new technologies that LifeSmart™ is bringing to life, such as LifeSmart™ Cloud services and emotion recognition technology, so that your home knows how to meet your needs without you even realizing it. Brilliant and simple, get ready to experience carefree smart home living that your whole family can enjoy.

### Disposal And Recycling Information

This symbol indicates that this product and/or battery should not be disposed of with household waste. When you decide to dispose of this product and/or its battery, do so in accordance with local environmental laws and guidelines.



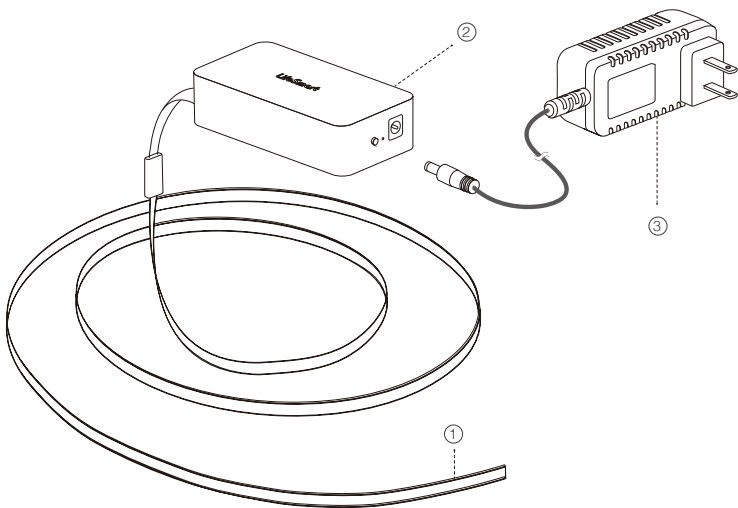
## IN YOUR PACKAGE

- BLEND Light Strip 1
- Power Cable 1
- Smart Adapter 1
- User Guide 1

## SPECIFICATIONS

Size	2000mm
Weight	0.54kg
Power	< 12W/m
Lighting Color	1600W colors + white light
LED Density	60/m
Wireless Distance	400m (open field)
Operating Humidity	0 - 95%
Operating Temperature	-25 - 40°C
Operating Frequency	433MHz GFSK
Input Voltage	12V DC
Regulatory Certification	 RoHS

## BLEND™ Light Strip



- ① BLEND™ Light Strip
- ② Light Strip Controller
- ③ Light Strip Power adapter

## EASY SETUP

Your BLEND™ Light Strip requires a LifeSmart™ Smart Station and the LifeSmart™ App to operate. Please download the APP to your smart device and set up your Smart Station before proceeding. The APP is available by going directly to our website or scanning the following QR Code.

▶ Method 1



▶ Method 2



- ① Open the LifeSmart APP and initiate adding a device.
- ② Attach the BLEND™ Light Strip to the smart adapter and power cable and plug into a power supply.
- ③ Press the pairing button on your BLEND™ Light Strip controller and hold for 5 seconds until the indication light flickers to indicate that pairing is in progress.
- ④ You will be prompted in the app when pairing is complete.
- ⑤ You may now choose colors and dynamic effects via the LifeSmart™ APP.

For technical support or FAQ's please visit us at [www.ilifsmart.com](http://www.ilifsmart.com) and find out how to contact our happiness team in your region.