

# LifeSmart

Simply Brilliant

**Motion Sensor** Model. LS005

Setting up your LifeSmart™ Motion Sensor

User Guide Version 1.0

## PRODUCT INTRODUCTION

Combine the LifeSmart™ Motion Sensor with your LifeSmart™ Smart Station and other devices to make your life simple, and to let you monitor, control, and even automate your home or office environment. Care for your pets and loved ones with 24 hour access and stay informed of changing security conditions. You can choose automatic actions such as turning on or off televisions, lights, coffee makers, or other devices when you come and go. You can have lights turn on when motion is detected, such as when you get up out of bed to go to the bathroom, your pets and children are moving around, or if a stranger enters your home at night. The LifeSmart™ APP will keep you aware of changing conditions in your home and can be set to notify you if movement is detected, no matter where you are. Protect your home and loved ones anytime, anywhere. Brilliant and simple, get ready to experience carefree smart home living that the whole family can enjoy.

### Disposal And Recycling Information


This symbol indicates that this product and/or battery should not be disposed of with household waste. When you decide to dispose of this product and/or its battery, do so in accordance with local environmental laws and guidelines.



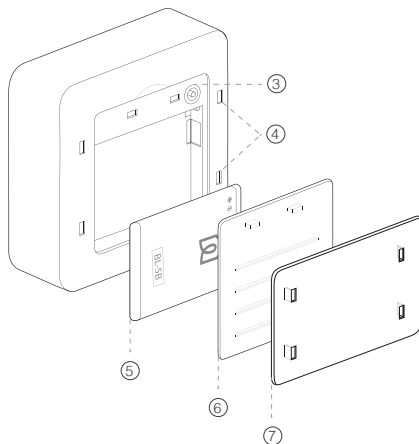
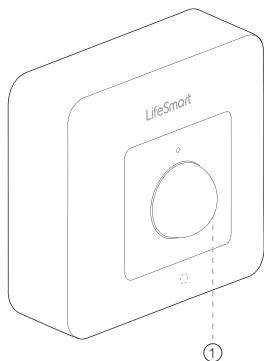
## IN YOUR PACKAGE

- Motion Sensor 1
- User Guide 1

## SPECIFICATIONS

Size	70*70*38mm
Weight	110g
Wireless distance	400m (open field)
Operating frequency	433MHz GFSK
Operating temperature	-25 ~ 40°C
Operating humidity	0 ~ 95%
Input	5V DC $\pm$ 500mA
Standby time	$\geq$ 6 months (standard environment)
Detection range	5 meters
Detection angle	120° hemispherical
Regulatory certification	 RoHS

## MOTION SENSOR



- ① PIR Induction Motion Sensor
- ② Micro USB Charging Port
- ③ Pairing Button
- ④ Mounting Bracket Insertion Slots
- ⑤ Battery
- ⑥ Battery Cover
- ⑦ Mounting Bracket

## EASY SETUP

Your Motion Sensor requires a LifeSmart Smart Station and the LifeSmart App to operate. Please download the APP to your smart device and set up your Smart Station before proceeding. The APP is available by going directly to our website or scanning the following QR Code.

### ▶ Method 1



### ▶ Method 2



- ① Open the LifeSmart APP and initiate adding a device.
- ② Open and insert the battery in your Motion Sensor. Although the sensor comes with a partial charge from the factory, it is recommended that you connect the micro USB power cord and charge your device for 6-8 hours before use.
- ③ Push the pairing button on the back of your Motion Sensor for 5 seconds until the indicator light flashes to indicate that the sensor is being paired.
- ④ You will be prompted in the app when pairing is complete.
- ⑤ Remove adhesive tape and install the mounting bracket wherever you want to mount the sensor with attention to coverage area.

For technical support or FAQ's please visit us at [www.ilifessmart.com](http://www.ilifessmart.com) and find out how to contact our happiness team in your region.