

# LifeSmart

Simply Brilliant

**Smart Plug** Model. LS042

Setting up your LifeSmart™ Smart Plug

User Guide Version 1.0

## PRODUCT INTRODUCTION

The LifeSmart™ Smart Plug adds intelligent control to your outlet to make your life easier. When combined with the LifeSmart™ Smart Station and the free LifeSmart™ APP, you have infinite control possibilities. Choose to turn on or off your television, stereo, air conditioner, space heater, or coffee maker from across the house or even while you are away. You can even add LifeSmart™ sensors to tell the plug to turn on the air conditioner when you walk in a room, or turn off the television when you leave. Any non-smart product that is directly connected to your LifeSmart™ Smart Plug can be controlled by your smart device from anywhere, anytime. Did you forget to turn off the coffee maker? Do you want to turn on your space heater before you arrive home? Brilliant and simple, get ready to experience carefree smart home living that the whole family can enjoy.

### Disposal And Recycling Information


This symbol indicates that this product and/or battery should not be disposed of with household waste. When you decide to dispose of this product and/or its battery, do so in accordance with local environmental laws and guidelines.



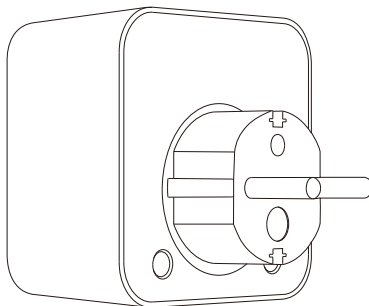
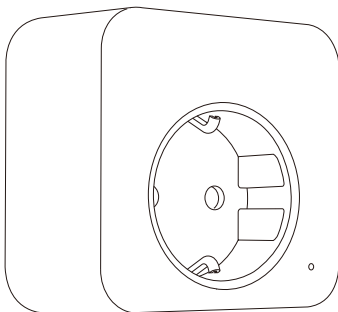
## IN YOUR PACKAGE

- Smart Plug 1
- User Guide 1

## SPECIFICATIONS

Size	70*70*77mm
Weight	140g
Wireless distance	400m (open field)
Operating frequency	433MHz GFSK
Operating temperature	-25 ~ 40°C
Operating humidity	0 ~ 95%
Input	AC100-240V 50/60Hz
Static power consumption	≤ 0.5W
Maximum load	2500W (250V 12A)
Regulatory certification	 RoHS

## SMART PLUG



## EASY SETUP

Your device requires a LifeSmart™ Smart Station and the LifeSmart™ App to operate. Please download the APP to your smart device and set up your Smart Station before proceeding. The APP is available by going directly to our website or scanning the following QR Code.

### ▶ Method 1



### ▶ Method 2



- ① Open the LifeSmart™ APP and initiate adding a device.
- ② Open and insert your Smart Plug into a standard wall outlet.
- ③ Push the pairing/power button on your Smart Plug and hold for 5 seconds until the indicator light flashes to indicate that the sensor is being paired.
- ④ You will be prompted in the app when pairing is complete.

For technical support or FAQ's please visit us at [www.lifesmart.com](http://www.lifesmart.com) and find out how to contact our happiness team in your region.